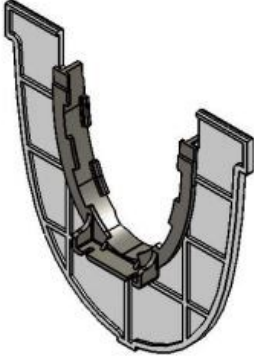
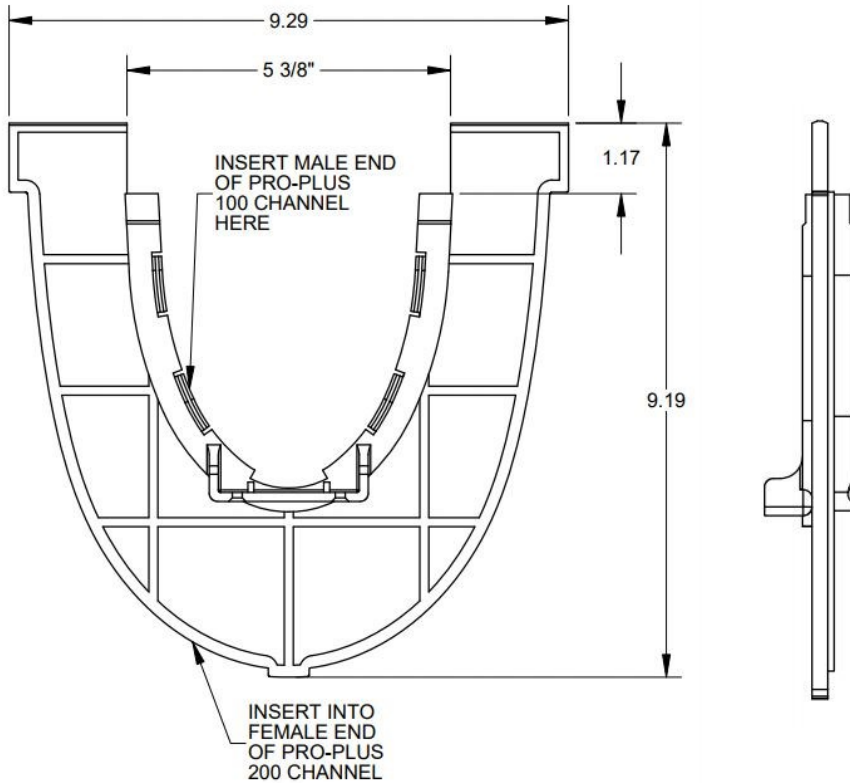
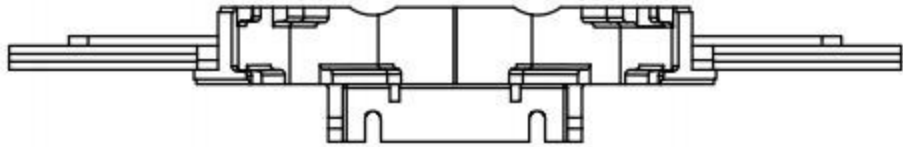


<p><b>Number</b></p> <p><b>200-EC-BSCB</b></p>	<p><b>Series</b></p> <p><b>CPS200</b></p> <p>Special End Cap</p> <p>Pro Plus 200</p>
--	--



**200-EC-BSCB Special End Cap**  
Allows Flow from 100C Channel  
to 200C Channel



**Manufacturer**



**Specification**

JOSAM 200-EC-BSCB SPECIAL END CAP ALLOWS FLOW FROM 100C 4" WIDE TRENCH CHANNELS TO 200C 8" WIDE TRENCH CHANNELS, SUPPLIED BY TRENCH DRAIN SUPPLY.

DISCLAIMER - The customer and the customer's architects, engineers, consultants, and other professionals are completely responsible for the selection installation and maintenance of any product purchased from Trench Drain Supply and/or its manufacturers. TRENCH DRAIN SUPPLY MAKES NO WARRANTY, EXPRESS OR IMPLIED, AS TO THE SUITABILITY, DESIGN, MERCHANTABILITY, OR FITNESS OF THE PRODUCT FOR CUSTOMERS APPLICATION. The drawing and information provided remain the property and copyright of the manufacturer listed. The manufacturer reserves the right to modify specification without notice.